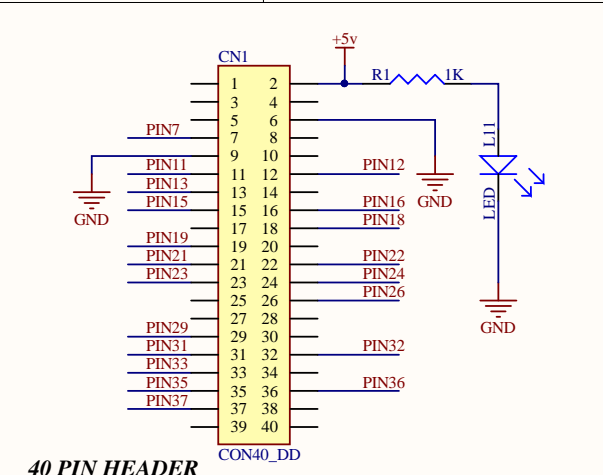
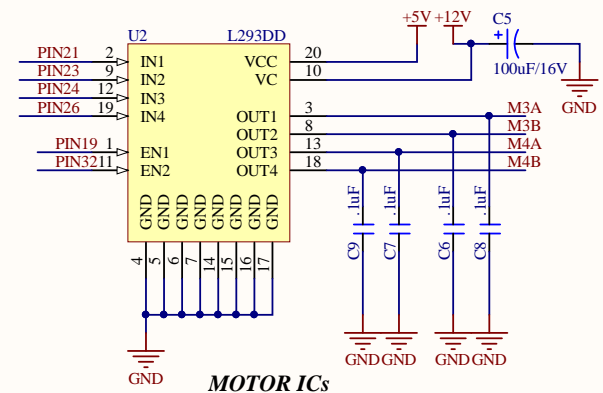
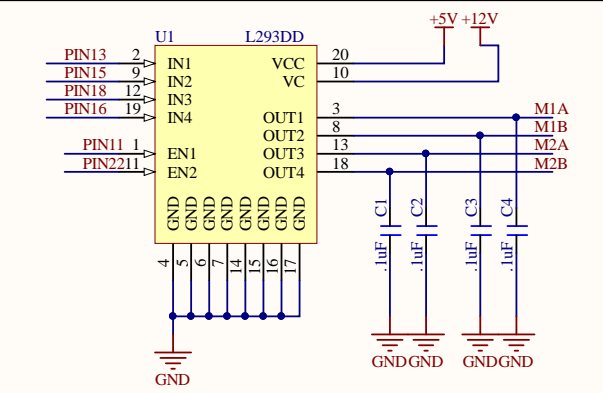


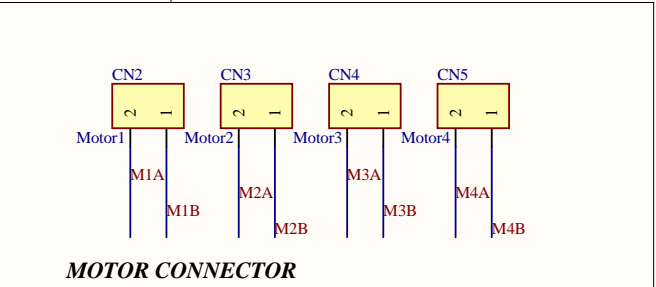
DIRECTION LEDs



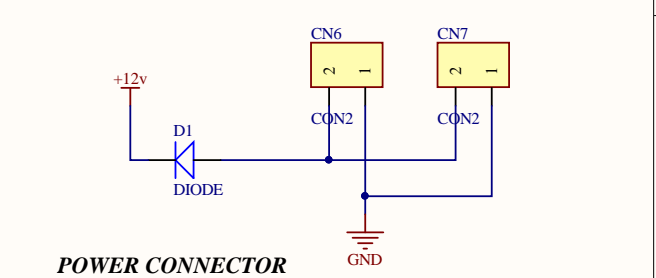
40 PIN HEADER



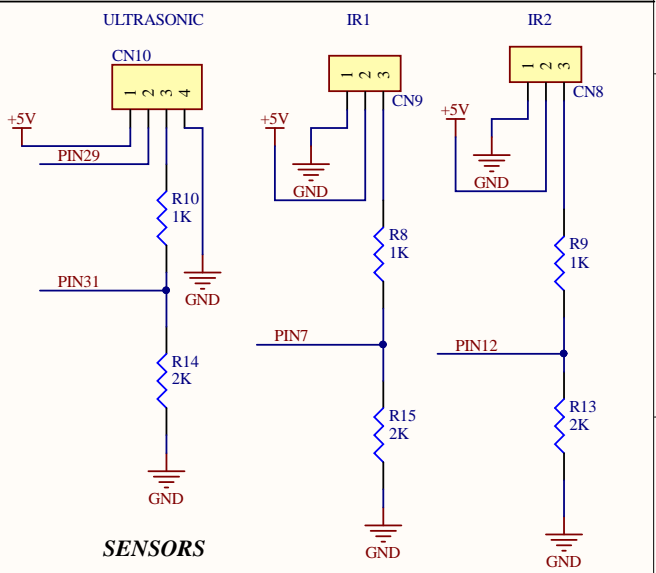
MOTOR ICs



MOTOR CONNECTOR



POWER CONNECTOR



SENSORS

Title			MOTOR_SHIELD		
Size	Number			Revision	
A4				V1.3	
Date:	11/10/2016	Sheet of			
File:	C:\Users\...\Sheet1.SchDoc	Drawn By:		SB COMPONENTS	